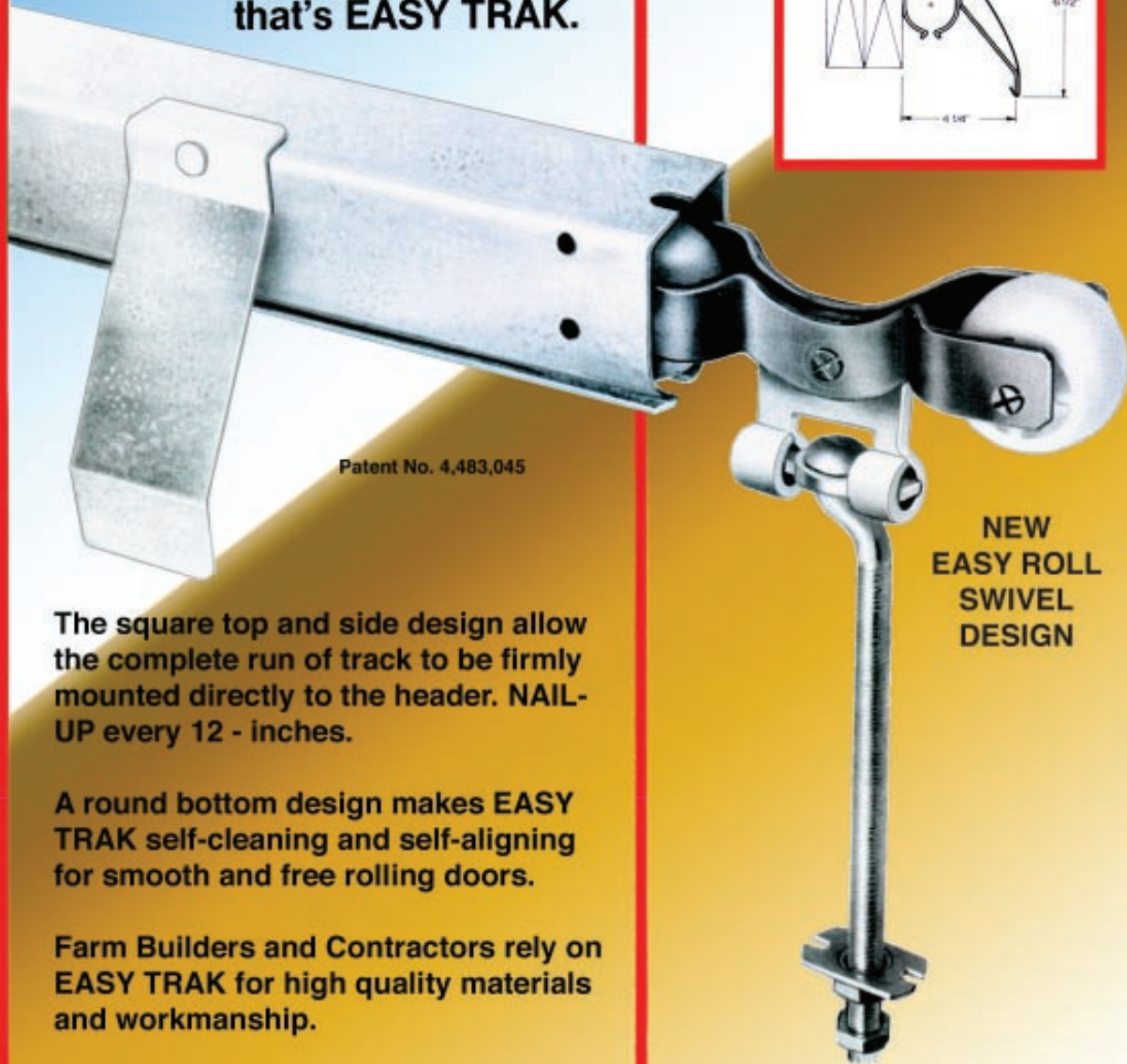
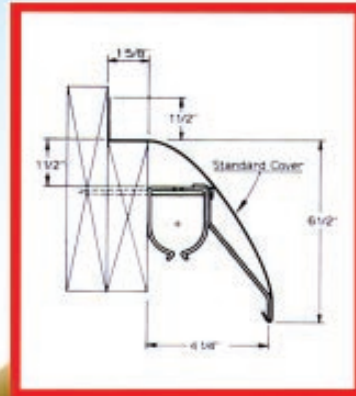


Sliding Door Hardware

Choose the track that is square on top and round on the bottom . . . that's EASY TRAK.



Patent No. 4,483,045

**NEW
EASY ROLL
SWIVEL
DESIGN**

The square top and side design allow the complete run of track to be firmly mounted directly to the header. NAIL-UP every 12 - inches.

A round bottom design makes EASY TRAK self-cleaning and self-aligning for smooth and free rolling doors.

Farm Builders and Contractors rely on EASY TRAK for high quality materials and workmanship.